

ILIUM PENDANT

Foster + Partners

Pendant lamps with a diffused and dimmable light output. Halogen and LED sources, according to versions. Structure with inner diffuser in opal polymeric (pendant LED version excluded) and outer diffuser in transparent barrel glass.



77 E27 LED/HALO/FLUO

LAMPING

Source	E27 halo par20 bulb
Total power	50W
Emission	downlight, flood
Switching	dimnable, according to bulb
Tension	230V
Materials	aluminium + glass
Notes	cabale length 3m
Net lamp weight	3,5 kg

Codes

ILI HHC 51

Structure/Diffuser

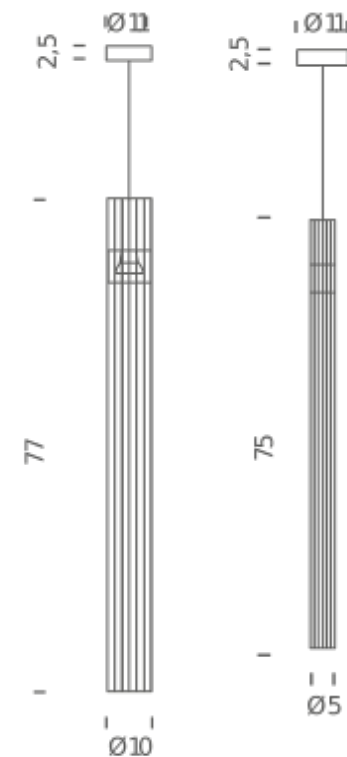
chrome/opal white

PACKAGE

Package 01

Dimension: 22x22x98 cm / Gross weight: 4,2 kg

Certificazioni



75 LED

LAMPING

Source	LED board
Total power	6W
Emission	downlight
Tension	110/230V
Color temperature	3000K
Luminous flux	345lm (source luminous flux)
Typ CRI	85
Energy class	A+
Materials	aluminium + glass
Notes	cabl length 3m
Net lamp weight	3,5 kg

Codes

ILI LHC 51

Structure/Diffuser

chrome/opal white

PACKAGE

Package 01

Dimension: 22x22x98 cm / Gross weight: 4,2 kg

Certificazioni

