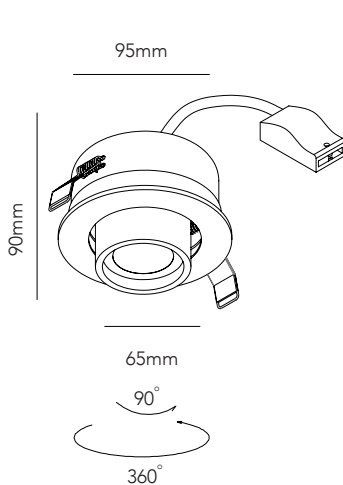


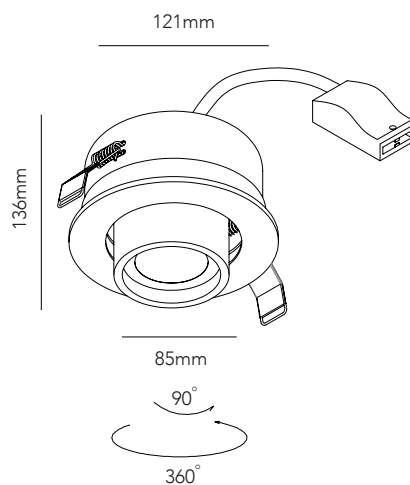


## ANGLE

Design: Ronni Gol



ANGLE



ANGLE+

# ANGLE - 3000 K

Design: Ronni Gol

**LIGHT·POINT**  
C O P E N H A G E N

ART. NAME	ANGLE	ANGLE+	-
Art. no. white	261662	261664	-
Art. no. black	261663	261665	-
EAN white	5711389616625	5711389616649	-
EAN black	5711389616632	5711389616656	-
Material	Alumumium / glass	Alumumium / glass	-
Light source	Lumens	Lumens	-
Lifetime	50.000	50.000	-
Number of light sources	1	1	-
Electronical gear	N/A	N/A	-
Driver watt	N/A	N/A	-
Light source watt	6	10	-
System watt	6	10	-
Voltage	220-240V	220-240V	-
Dimmable	Leading / trailing edge	Leading / trailing edge	-
Lumen output	540	900	-
Lumen pr. watt	90	90	-
Flux	N/A	N/A	-
CCT (K)	3000	3000	-
RA/CRI	>90	>90	-
Mac Adam	3	3	-
Light distribution	N/A	N/A	-
Beaming angle	40	40	-
Tilt angle	90	90	-
Cut out mm.	Ø103	Ø129	-
Rotation	350	350	-
Looping	No	No	-

# ANGLE - 2700 K

Design: Ronni Gol

**LIGHT·POINT**  
C O P E N H A G E N

ART. NAME	ANGLE	ANGLE+	-
Art. no. white	270510	270520	-
Art. no. black	270511	270521	-
EAN white	5711389705107	5711389705206	-
EAN black	5711389705114	5711389705213	-
Material	Alumumium / Glass	Alumumium / Glass	-
Light source	Lumens	Lumens	-
Lifetime	50.000	50.000	-
Number of light sources	1	1	-
Electronical gear	N/A	N/A	-
Driver watt	N/A	N/A	-
Light source watt	6	10	-
System watt	6	10	-
Voltage	220-240V	220-240V	-
Dimmable	Leading / trailing edge	Leading / trailing edge	-
Lumen output	540	900	-
Lumen pr. watt	90	90	-
Flux	N/A	N/A	-
CCT (K)	2700	2700	-
RA/CRI	>90	>90	-
Mac Adam	3	3	-
Light distribution	N/A	N/A	-
Beaming angle	40	40	-
Tilt angle	90	90	-
Cut out mm.	Ø103	Ø129	-
Rotation	350	350	-
Looping	No	No	-