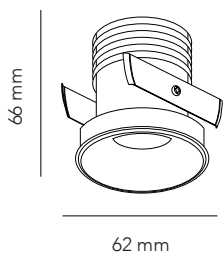


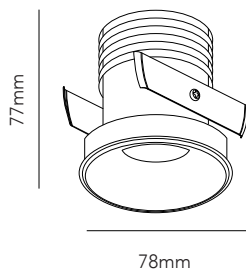


## LOTUS

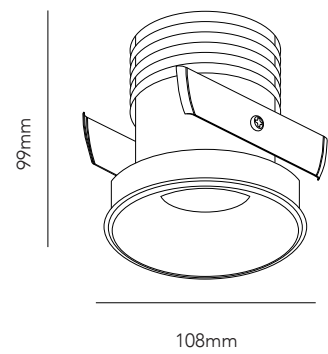
Design: Ronni Gol



LOTUS 1



LOTUS 2



LOTUS 2

# LOTUS - 2700 K

Design: Ronni Gol

LIGHT·POINT  
C O P E N H A G E N

ART. NAME	LOTUS 1	LOTUS 2	LOTUS 3
Art. no. white	270290	270300	270310
Art. no. black	270291	270301	270311
Art. no. matt acrylic	270500	270501	270502
EAN white	5711389702908	5711389703004	5711389703103
EAN black	5711389702915	5711389703010	5711389703110
EAN matt acrylic	5711389705008	5711389705015	5711389705022
Material	Aluminium / Acrylic	Aluminium / Acrylic	Aluminium / Acrylic
Light source	Lumens	Lumens	Lumens
Lifetime	50.000	50.000	50.000
Number of light sources	1	1	1
Electronical gear	N/A	N/A	N/A
Driver watt	N/A	N/A	N/A
Light source watt	4	8	15
System watt	4	8	15
Voltage	220-240V	220-240V	220-240V
Dimmable	Leading/trailing Edge	Leading/trailing Edge	Leading/trailing Edge
Lumen output	360	720	1350
Lumen pr. watt	90	90	90
Flux	N/A	N/A	N/A
CCT (K)	2700	2700	2700
RA/CRI	>90	>90	>90
Mac Adam	3	3	3
Light distribution	N/A	N/A	N/A
Beaming angle	60	60	40
Tilt angle	N/A	N/A	N/A
Cut out mm.	Ø53	Ø65	Ø85
Rotation	N/A	N/A	N/A
Looping	Yes	Yes	Yes