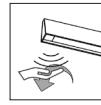


## EDGE LINEAR

Design: Nital Patel

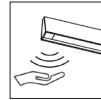


\*This product cannot be controlled by external trailing-edge dimmer



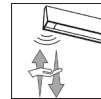
○ = ⏻

ON / OFF  
swipe your hand under the sensor



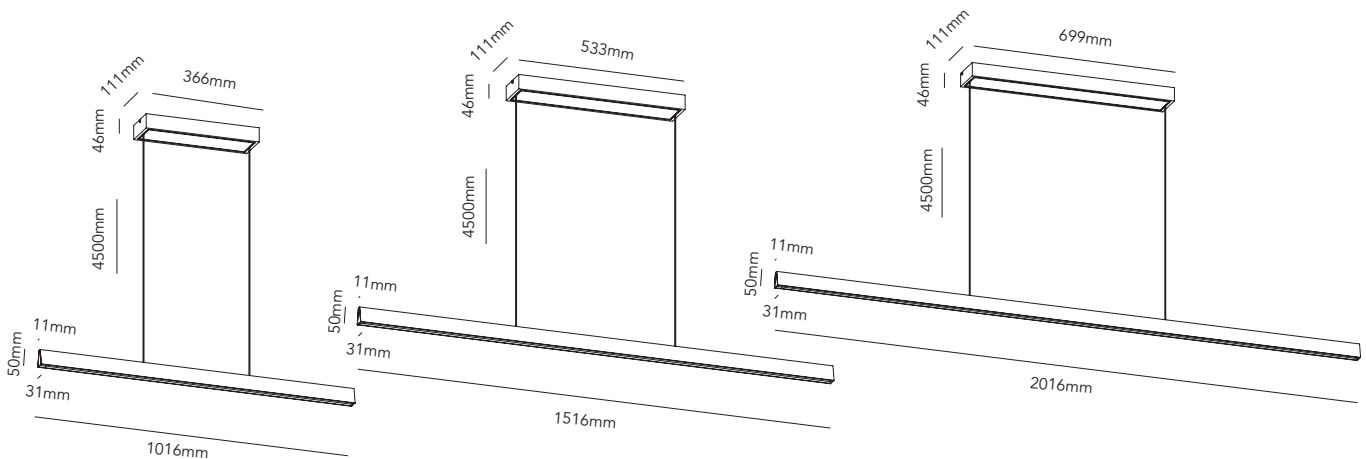
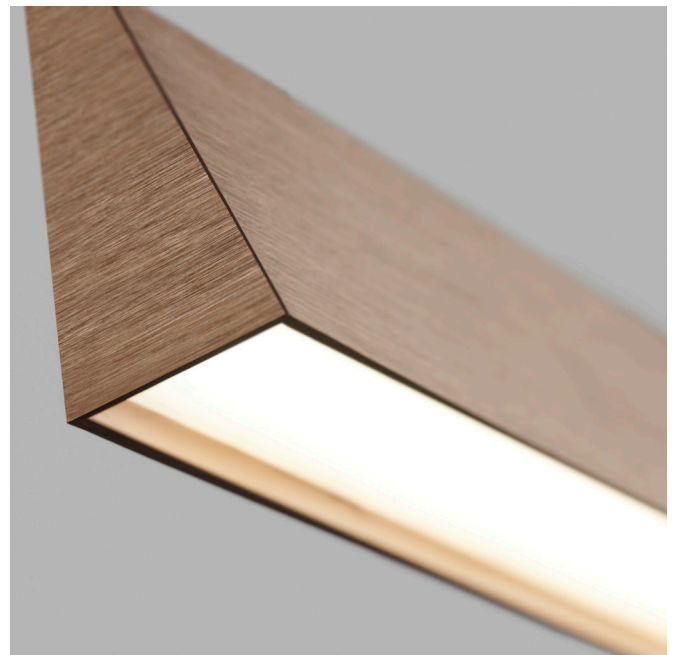
☀ = ☀

DIMM  
hold your hand still under the sensor to adjust the light lev



2700K ☀ = ☀ 5000K

TUNABLE WHITE / TO WARM  
move your hand up to / away from the sensor and hold your hand still to set the color temperature



**EDGE LINEAR S1000**

**EDGE LINEAR S1500**

**EDGE LINEAR S2000**

# EDGE LINEAR - 2700-5000K

Design: Nital Patel

**LIGHT·POINT**  
C O P E N H A G E N

ART. NAME	EDGE LINEAR S1000	EDGE LINEAR S1500	EDGE LINEAR S2000
Art. no. rose gold	270552	270562	270565
Art. no. titanium	270551	270561	270564
EAN rose gold	5711389705527	5711389705626	5711389705657
EAN titanium	5711389705510	5711389705619	5711389705640
Material	Aluminium / Acrylic	Aluminium / Acrylic	Aluminium / Acrylic
Light source	Epistar	Epistar	Epistar
Lifetime	50.000h	50.000h	50.000h
Number of light sources	2	2	2
Electronical gear	N/A	N/A	N/A
Driver watt	35W	35W	35W
Light source watt	10+20	15+30	20+40
System watt	30	45	60
Voltage	220-240V	220-240V	220-240V
Dimmable	Yes	Yes	Yes
Lumen output	1800	2700	3600
Lumen pr. watt	60	60	60
Flux	N/A	N/A	N/A
CCT (K)	2700-5000	2700-5000	2700-5000
RA/CRI	>90	>90	>90
Mac Adam	3	3	3
Light distribution	Up/Down	Up/Down	Up/Down
Beam angle	N/A	N/A	N/A
Tilt angle	N/A	N/A	N/A
Cutout mm.	N/A	N/A	N/A
Rotation	N/A	N/A	N/A
Looping	N/A	N/A	N/A

Updated 5th of May 2021